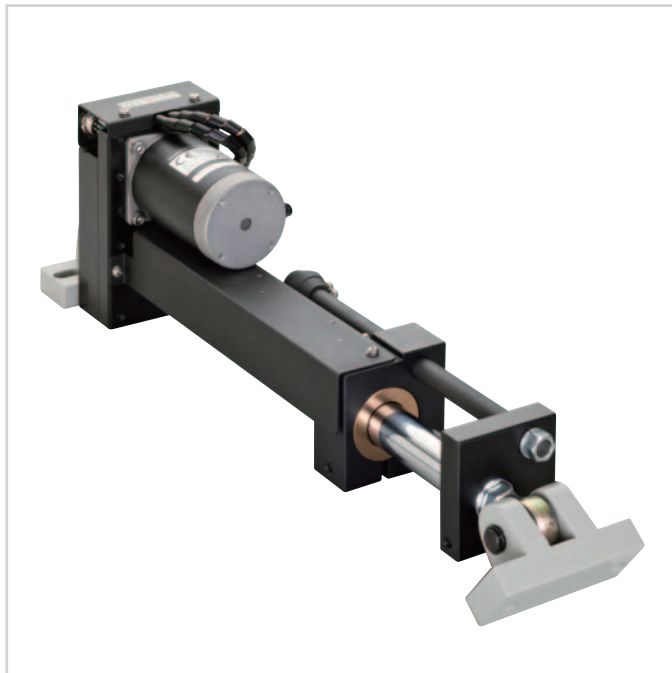


Electrical Actuator BA



TOUGU DENKI Electrical Actuator consists of a motor, gears and ball screw for web guiding system. It is used on unwinding, rewinding, pivot guide and others by efficiency movements.

With a DC Brushless Motor, the BA line speed is 250 m/min, and the thrust is 250kgf. For the requirements, there are three different stroke can be chosen: 70, 140, 280 mm.

Technical Data

Model	BA		
Type	Electrical		
Function	DC Brushless Motor		
Voltage	DC 24V		
RPM	3600		
Watt	110W		
Line Speed	250 m/min		
Thrust	250kgf		
Stroke (mm)	70	140	280
Weight (kg)	5	5.5	6.5
Temperature	5~50°C		



Electrical Actuator BA
 is used on a Rewinding Machine for Rewinding

Dimensions

