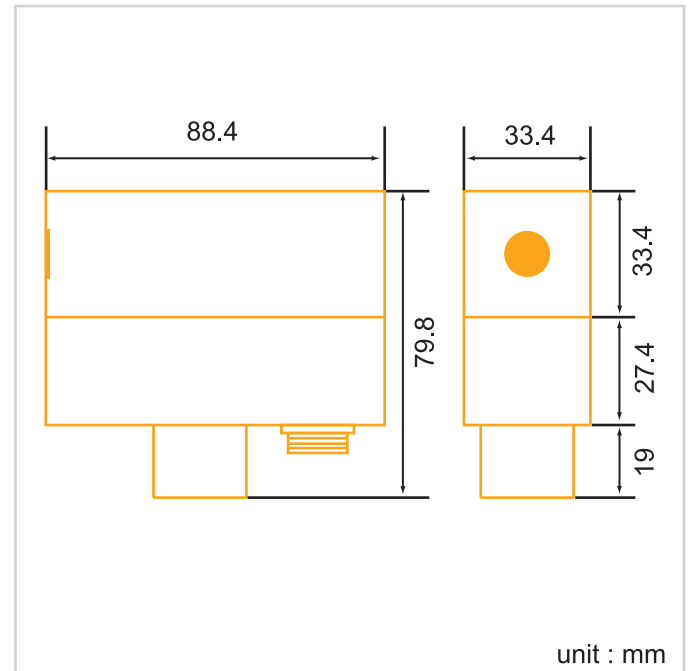


## Color Line Sensor DLP-09



## Dimensions

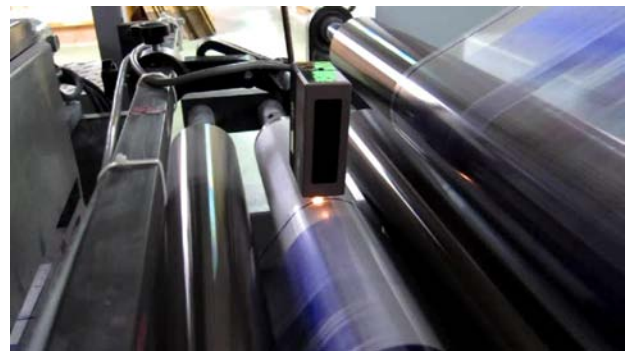


TOUGU DENKI Color Line Sensor is a project-sensor for line position control of print line and broken line. It is also used on edge position control of edge and color difference by setting.

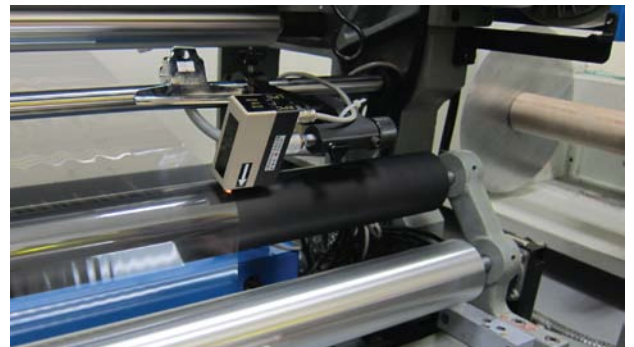
With the warmwhite light source, it must be projecting on a roll with the distance of 10 mm. DLP-09 is accuracy of 0.1 mm and line-detect width from 0.5~5 mm permit a wide variety of applications.

## Technical Data

Model	DLP-09
Detect Type	Optical
Function	Projection
Light Color	Warmwhite
Accuracy	0.1 mm
Working Distance to Web	10 mm
Line-detect Width	0.5~5 mm
Housing Material	Aluminium
Dimensions (WxDxH)	33.4 x 88.4 x 79.8 mm
Weight	320g
Temperature	5~50°C



Color Line Sensor DLP-09  
is used on Line Position Control



Color Line Sensor DLP-09  
is used on Edge Position Control